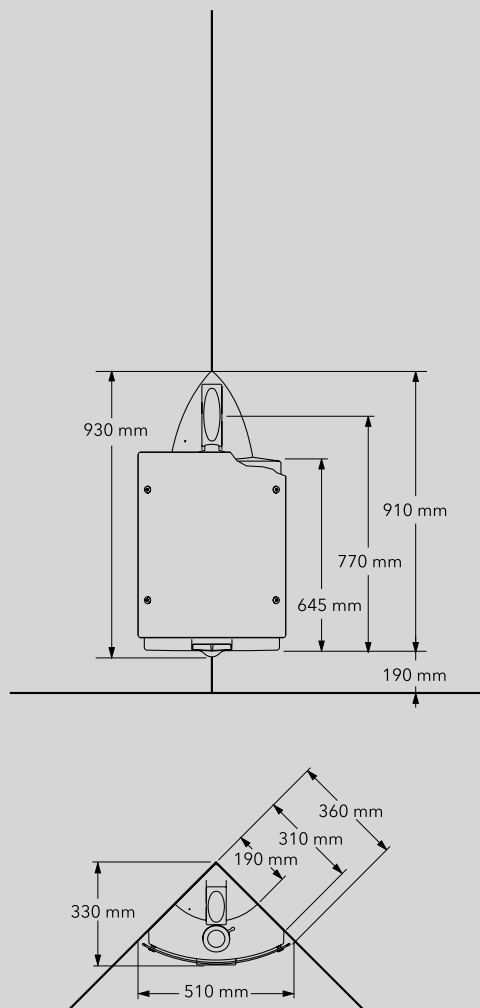


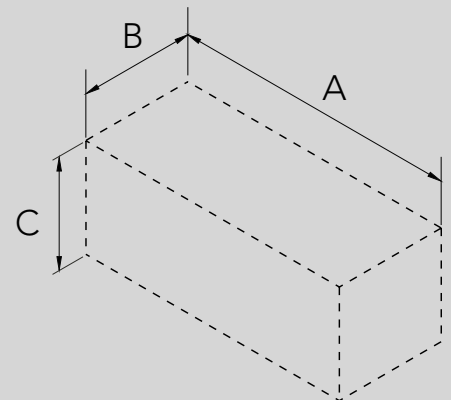
Technical Data

Minimum flow pressure	2 bar
Recommended flow pressure	2 – 5 bar
Connection warm water	DN 15 1/2"
Power supply	230 V / 50 Hz / 16 A
Protection grade	IPX5
Nominal power steam generator	3,3 kW

Dimensions



Packaging



Carton	1
Weight (kg):	41
Side A (mm):	1020
Side B (mm):	480
Side C (mm):	420

Component Steam Generator

Instructions for Installation

Wiring conduit **A** (internal \varnothing 25 mm) must be provided to install the power supply cable (damp-proof cable $3 \times 1.5 \text{ mm}^2$). The provided power supply cable allows installing the main connection up to 6 m away from the steam generator. The main connection must be accessible at any time and must be installed in a dry area (protection zone 3).

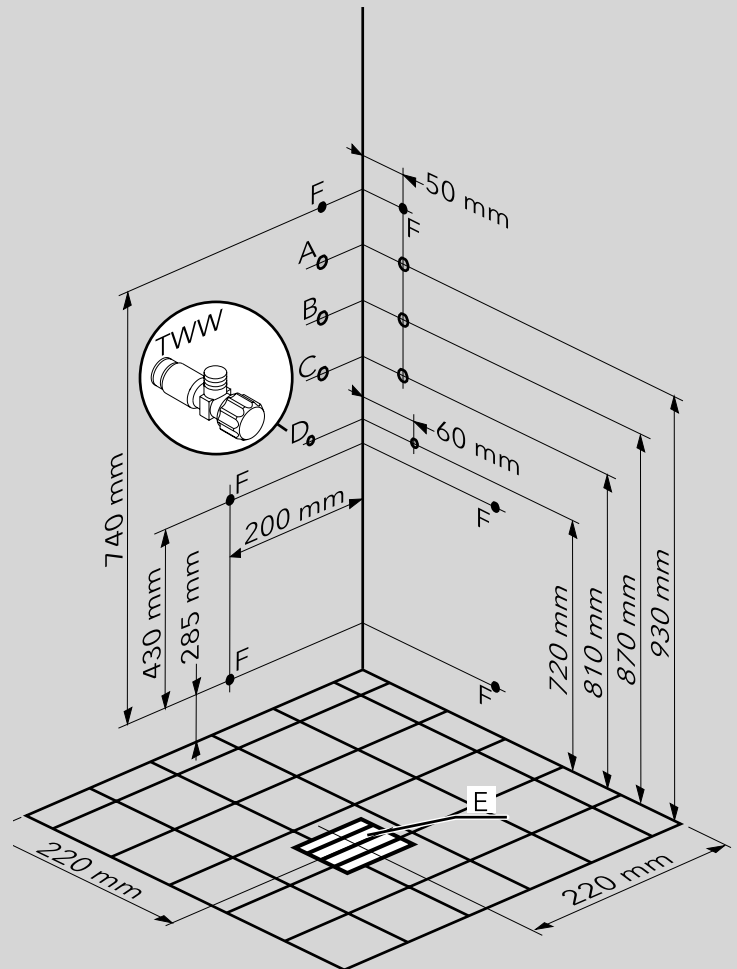
The complete power supply runs via 230 V / 50 Hz and must be protected by a 2-pole residual current operated circuit breaker with $\leq 30 \text{ mA}$ fault current.

Wiring conduit **B** (internal \varnothing 25 mm) is required for the connection of the transformer. The transformer cable allows installing the transformer up to 6 m away from the steam generator. The transformer must be accessible at any time and must be installed in a dry area (protection zone 3).

Wiring conduit **C** (internal \varnothing 25 mm) is only necessary if an external light will be connected. The provided extension cable allows connecting an external light up to 4 m away from the steam generator.

Connections for water supply have to be installed according to the currently valid DIN 1988 / EN 1717 and DIN 1986 / EN 12056 as well as to the local regulations (connection sleeve DN15 1/2", flush with tiles).

References



A, B, C Cabel conduit internal \varnothing 25 mm
D TWW hot water (DN 15 1/2")
E Plan waterdrainage \varnothing 50 mm

Component Steam Generator