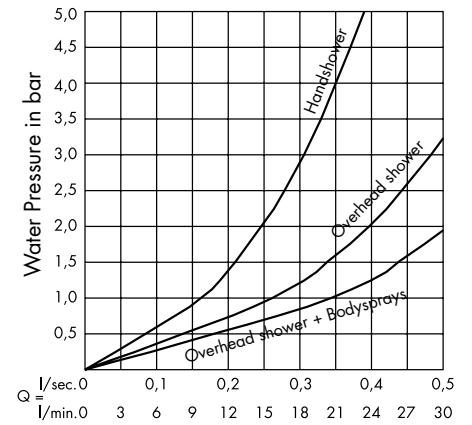


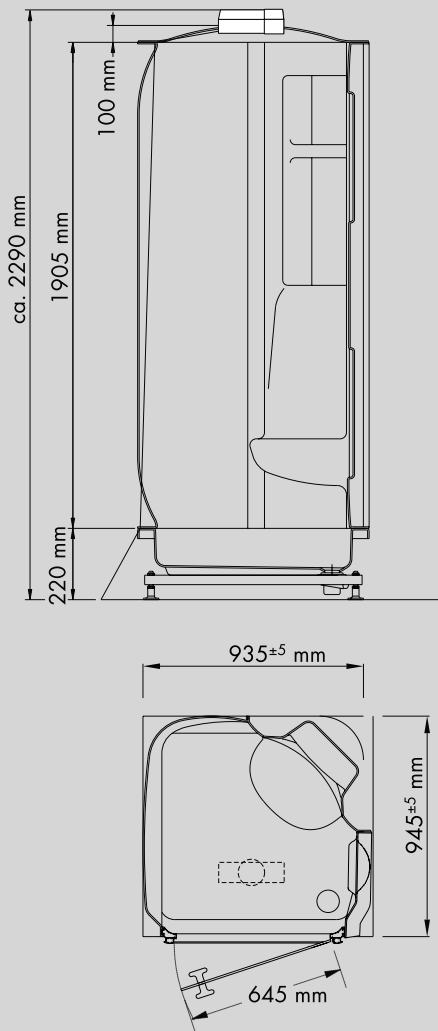
Technical Data

Required room height	2400 mm
Maximum floor load	200 kg/m ²
Connection cold water	DN 15 1/2" male thread
Connection warm water	DN 15 1/2" male thread
Drain size	DN 50
Minimum flow pressure	2 bar
Recommended flow pressure	2 – 5 bar
Power supply	230 V / 50 Hz / 16 A
Protection grade	IPX5
Nominal power steam generator	3 kW

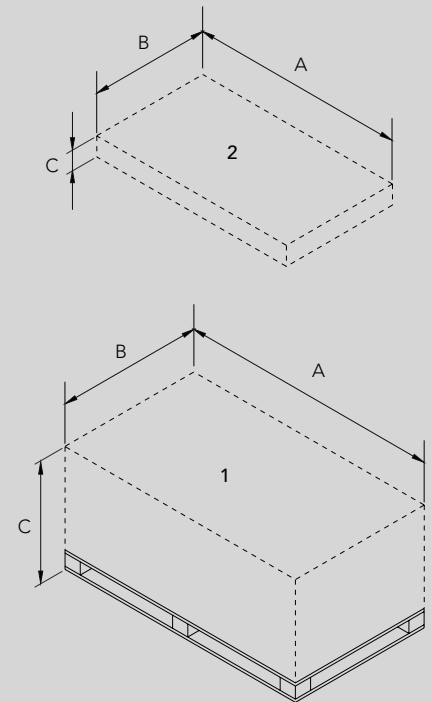
Flow Pressure Diagram



Dimensions



Packaging



Carton	1	2
Weight (kg)	150	24
Side A (mm)	2200	1990
Side B (mm)	1150	880
Side C (mm)	1500	120

Instructions for Installation

Make a sketch showing where and how the cabin will be installed. Ensure that the steam generator and the automatic fragrance system (option) are easily accessible for maintenance work. For that reason a service hatch should be installed.

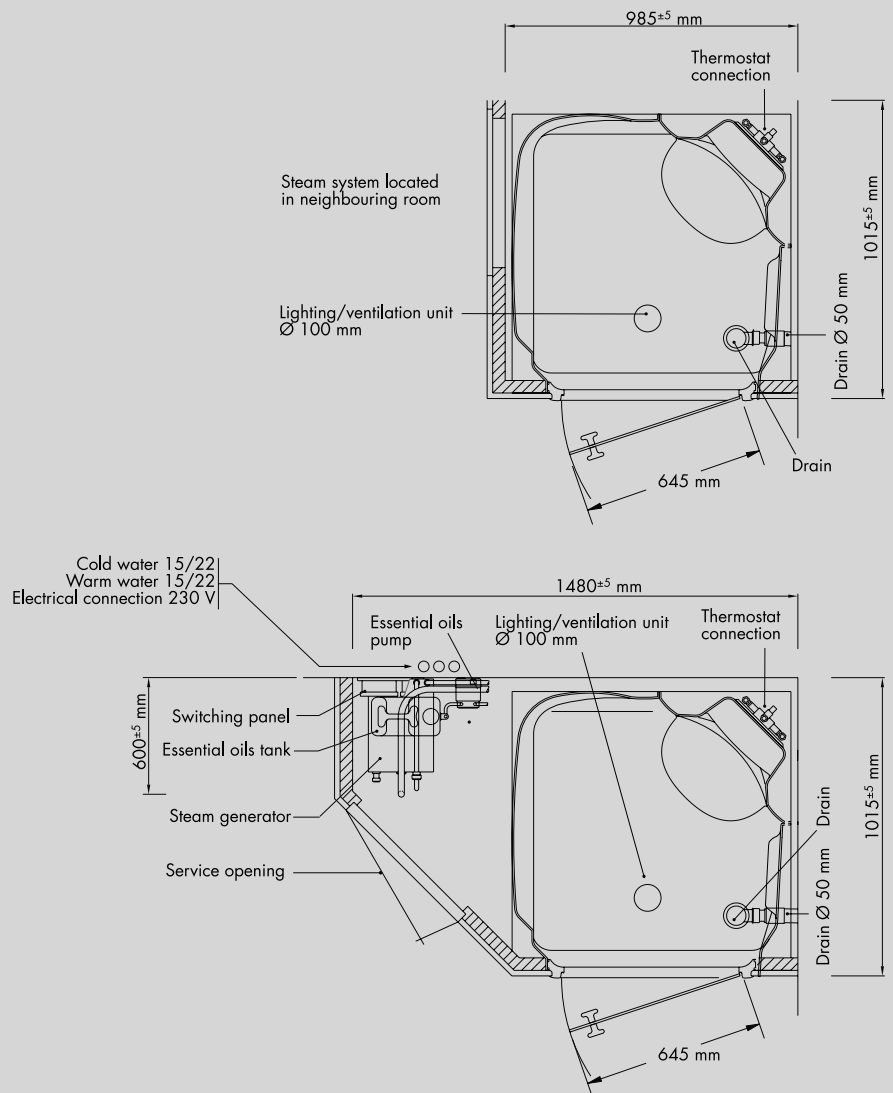
The electrical connection may be at the most one meter away from the steam generator (3 kW 230 V, 50 Hz). (6 kW – 2 x 230 V or 380 V, 50 Hz for the Steam Cabin 570.) The electrical cable must always be long enough to connect directly to the steam generator. An equipotential bonding must be installed with a cross section of at least 4 mm² and a length of approx. 1500 mm!

Hot and cold water connections with **shut-off valves** should be within one meter of the cabin. Connections for water supply and drain have to be installed according to the currently valid DIN 1988 / EN 1717 / DIN 1986 / EN 12056 as well as to the local regulations.

The steam generator can be installed up to 3 meters away from the steam shower in a neighbouring room or one floor higher or lower. The steam generator can be fed with cold or hot water. When fitting the steam generator, install a shut-off valve and a non return valve before the generator. A drain with Ø 50 mm or Ø 40 mm must be available underneath the cabin.

We recommend natural ventilation for the cabin. A circuit made of heat-resistant plastic with Ø 100 mm should be fitted above the cabin and sloping lightly down to the cabin. When fitting a mechanical ventilation system, ensure that the system is resistant against high air humidity and essential oils usage. Also ensure that the ventilation system is set properly so that not too much steam is extracted from the cabin!

References



The steam generator can be installed up to 3 meters away from the steam shower in a neighbouring room or one floor higher or lower. Make sure the service opening is large enough.