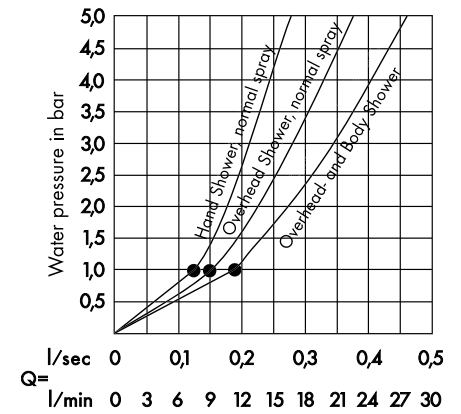


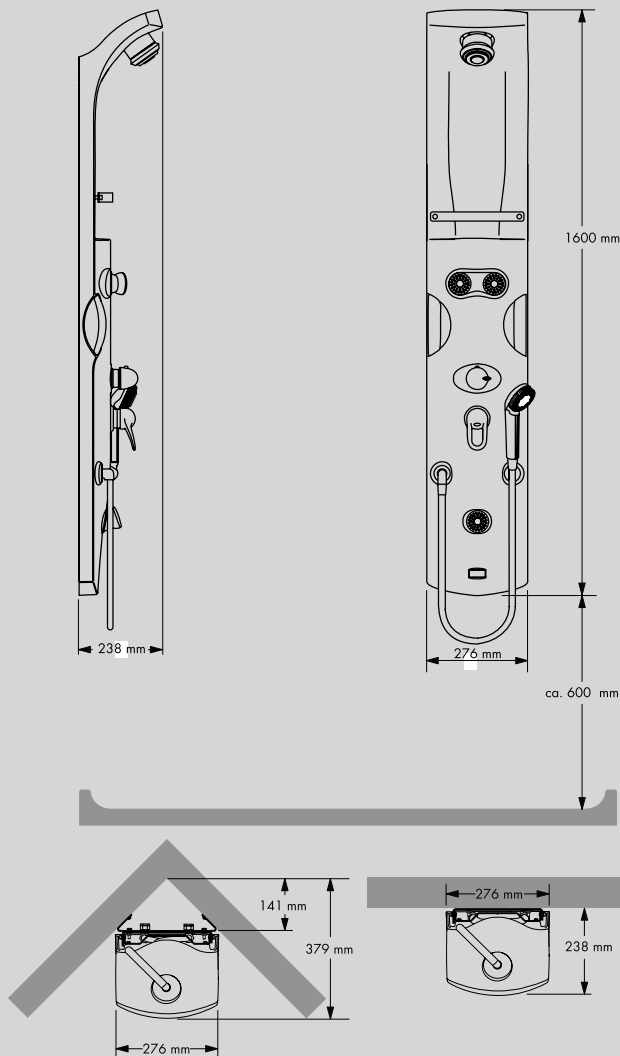
Technical Data

Required room height from shower tray	2,25 m
Minimum flow pressure	1,5 bar
Recommended flow pressure	2 – 5 bar
Suitable for continuous flow heaters from	24 kW
Connection cold water	DN 15 1/2"
Connection warm water	DN 15 1/2"

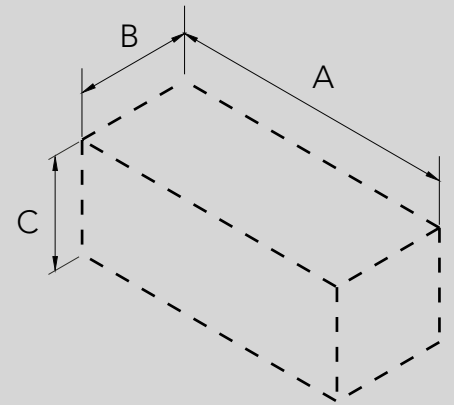
Flow Pressure Diagram



Dimensions



Packaging



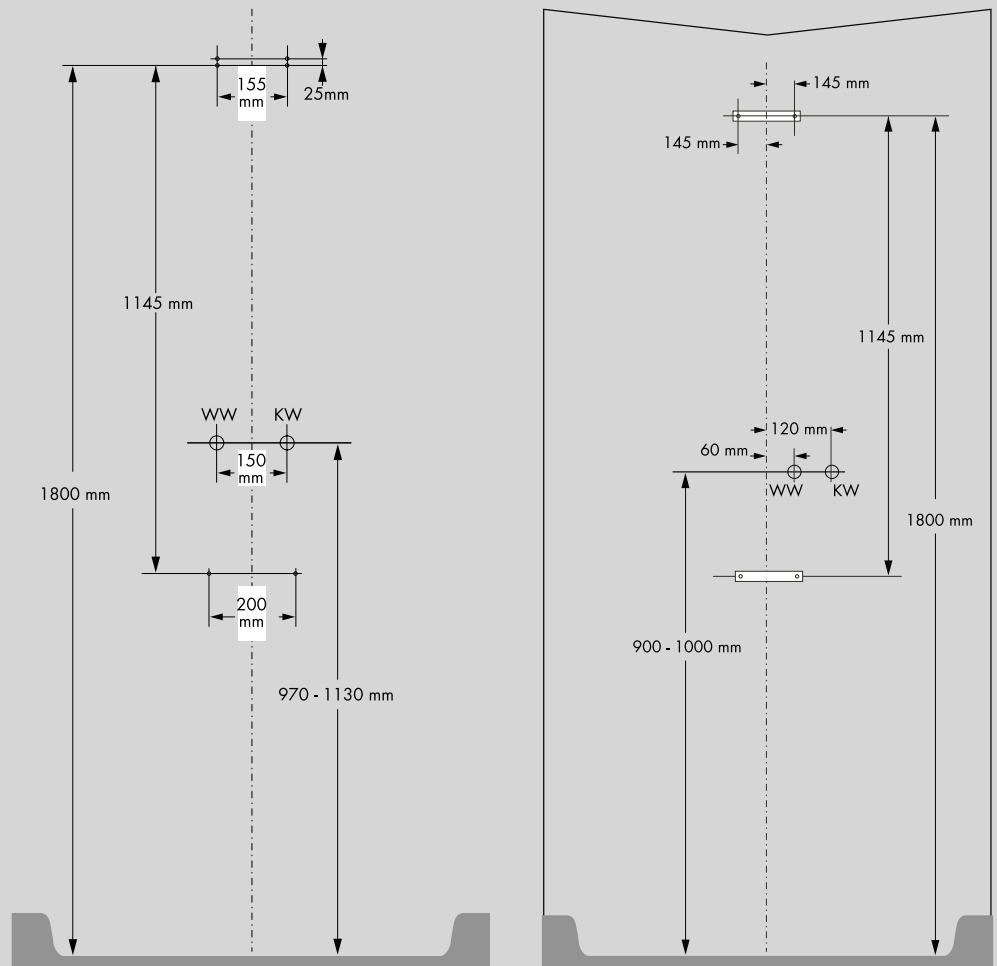
Carton	1
Weight (kg):	23
Side A (mm):	1680
Side B (mm):	370
Side C (mm):	285

Showerpanel Lift

Instructions for Installation

Connections for water supply have to be installed according to the currently valid DIN 1988 / EN 1717 and DIN 1986 / EN 12056 as well as to the local regulations.

References



WW hot water (DN 15 1/2")
WK cold water (DN 15 1/2")