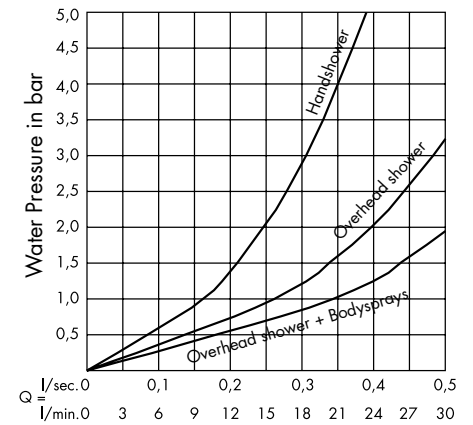


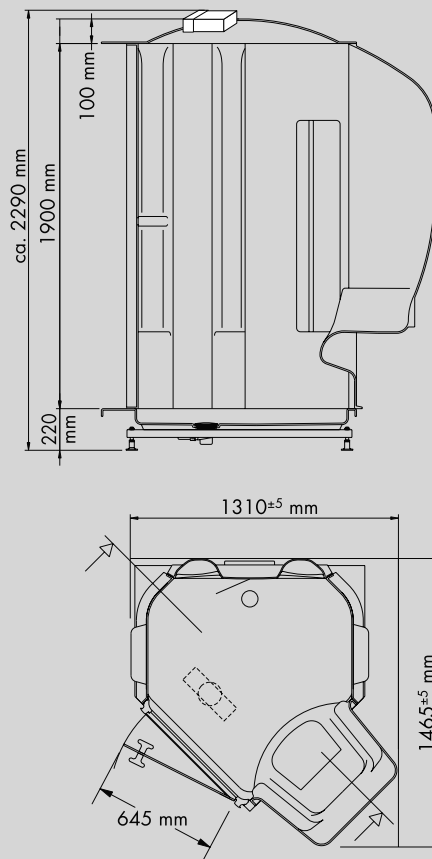
## Technical Data

Required room height	2400 mm
Maximum floor load	200 kg/m <sup>2</sup>
Connection cold water	DN 15 1/2" male thread
Connection warm water	DN 15 1/2" male thread
Drain size	DN 50
Minimum flow pressure	2 bar
Recommended flow pressure	2 – 5 bar
Power supply	230 V / 50 Hz / 16 A
Protection grade	IPX5
Nominal power steam generator	3 kW

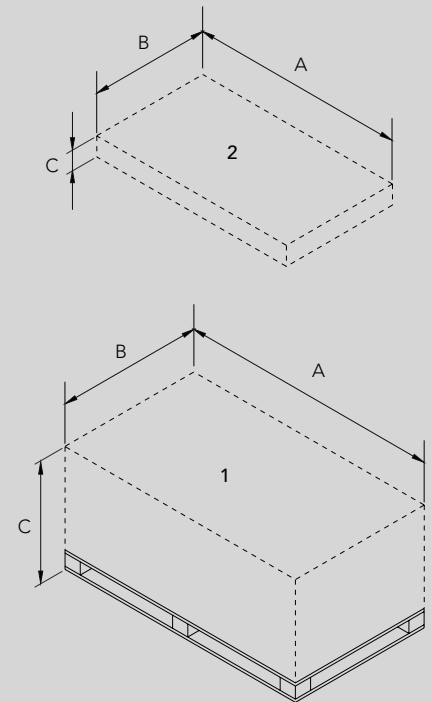
## Flow Pressure Diagram



## Dimensions



## Packaging



Carton	1	2
Weight (kg)	150	24
Side A (mm)	2200	1990
Side B (mm)	1150	880
Side C (mm)	1500	120

# Steam Cabin Colorado 540 Right

